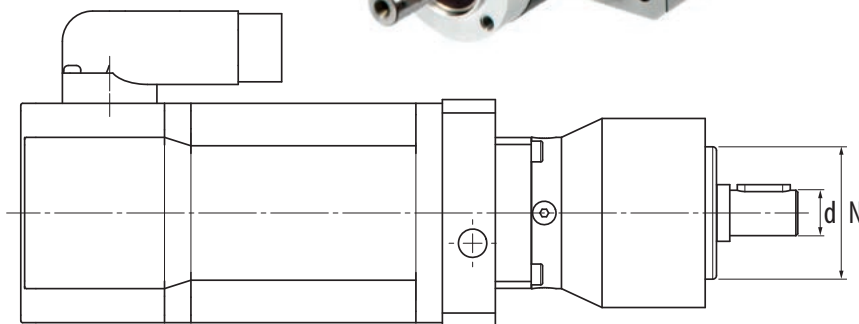
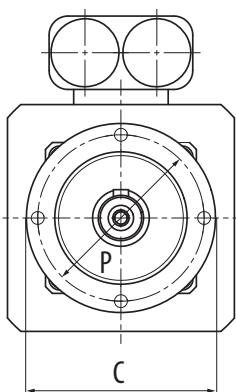


The perfect connection

Planetary gears SGPP bundled with **Dynamic Line 3:**

- ✓ low backlash
- ✓ high torque
- ✓ high efficiency (97%)
- ✓ ratio $i = 5$ up to 40
- ✓ low noise
- ✓ lifetime lubrication



Gearsize	T_{2N} [Nm]	T_{2max} [Nm]	n_{max} [rpm]	i	backlash arc _{min}	C Ø [mm]	d_{k6} Ø [mm]	N_{j6} Ø [mm]	P Ø [mm]	DL3-Motors
1	5 ... 11	8 ... 17.5	5,000	5 ... 40	15	50	12	35	44	A
2	15 ... 28	24 ... 45	4,500		10	70	16	52	62	A B C
3	38 ... 85	61 ... 136	4,000		7	90	22	68	80	B C D E
4	95 ... 115	152 ... 136	3,000		7	120	32	90	108	C D E
5	210 ... 460	336 ... 736	2,800		8	155	40	120	140	D E

Industry segments

- ✓ Machine tools
- ✓ Metal forming
- ✓ Packaging technology
- ✓ Food technology
- ✓ Wood working systems
- ✓ General automation devices

Application examples

- ✓ Revolving tables
- ✓ Tool changer
- ✓ Roboter- and handling devices
- ✓ Linear positioning
- ✓ Conveyor drives
- ✓ Winder